



# **Hand Portable Storage Drums Installation and Maintenance Manual**

**(Technical Manual No SDM25)**



## Index

		Page
Section 1.0	Introduction	
	1.1 Scope of this manual	2
	1.2 Description	3
	1.3 Inspection	3
Section 2.0	Installation	3
Section 3.0	Operation	
	3.1 Deploying the cable/hose	4
	3.2 Rewinding the cable/hose	4
Section 4.0	Maintenance	
	4.1 Monthly maintenance	5
	4.2 Removing the drum	5
Appendix		
	1 Parts breakdown	6
Figures		
	1 Sketch showing dimensions	2
Tables		
	1 Dimensions	2
	2 Nominal capacity	3

1.0 Introduction

1.1 Scope of this manual

**WARNING**

**WARNINGS ARE GIVEN WHERE FAILURE TO OBSERVE THE INSTRUCTION COULD CAUSE INJURY TO PEOPLE.**

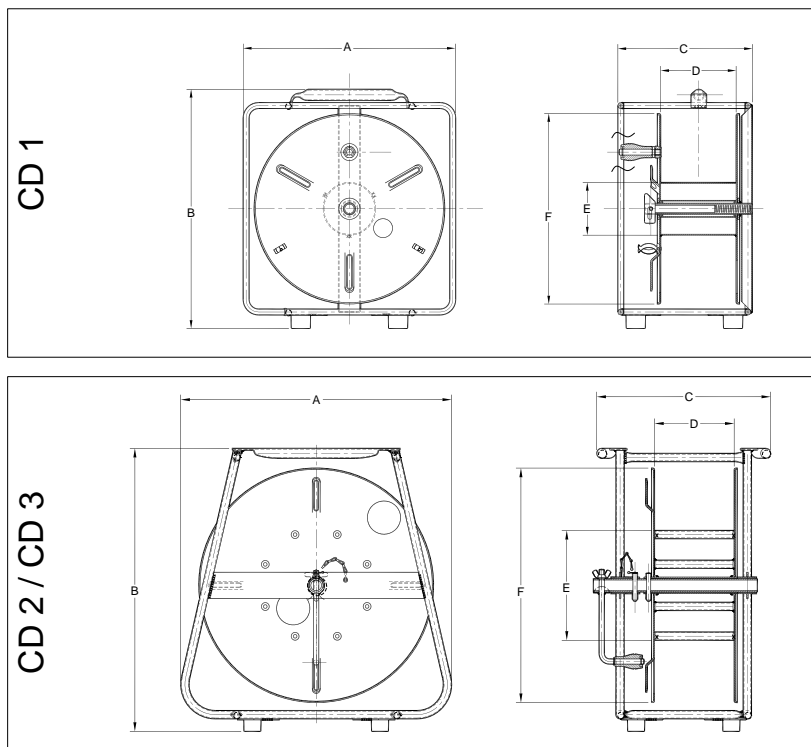
**CAUTION**

*Cautions are given where failure to observe the instruction could result in damage to the equipment or associated equipment.*

This manual provides the end-user of Collins Youldon cable storage drums with full details of the equipment, its installation, use, maintenance and basic repair/spares information. It must be stressed that proper installation, use and maintenance of the equipment provides the key to long and trouble free use.

In the unlikely event of any operational problems, or for the supply of spare parts and any technical queries please call our Sales Office who will be pleased to help 01480 832200 (+44 1480 832200).

Collins Youldon has a policy of continual product improvement, and reserves the right to modify the design or materials used at any time in the future.



**Figure 1 – Sketch showing dimensions**

**Table 1 – Dimensions (in millimetres)**

	Dim A	Dim B	Width C	Drum Width D	Drum Core Dia. E	Drum Disc Dia. F	Weight (kg)
CD1	360	400	230	125	90	320	6.25
CD2	520	540	350	150	230	450	9.75
CD3	520	540	500	300	230	450	11.25
CD3.45	520	540	650	450	230	450	13.00
CD3.6	520	540	800	600	230	450	14.50

## 1.2 Description

The basic cable drum consists of a drum with rewind handle and cable anchor pints supported in a frame by a centre shaft about which the drum can be rotated.

The cable drums are designed and manufactured for heavy duty use and are constructed from mild steel with the frame and drum finished with a durable black nylon coating. Other parts are zinc plated and colour passivated.

Units may be stacked up to three high for maximum space saving and are supplied with soft feet to ensure a firm grip. All drums are readily removed from the frame and other options are available such as friction brake to reduce overrun are available on request.

### CAUTION

**Ensure the drum is suitable for the minimum bend radius of the cable/hose to avoid damage when wrapping around the drum core.**

## 1.3 Inspection

Inspect the cable drum upon receipt; if there is any damage or it does not operate correctly please notify your supplier and the carrier in writing within 3 days, stating the part number of the cable drum and your order number.

## 2.0 Installation

### CAUTIONS

- 1 Observe the caution at section 1.2 above and check the drum capacity, see table 2.**
- 2 Care must be taken to avoid distortion or damage of the frame or drum especially while fitting the cable or hose for the first time.**

- 2.1 Ensure that the drum is free to rotate and on CD2 & CD3 that the handle is deployed for rewinding, see section 3.1 Remove the pin lock at the frame position and allow to hang freely on its retaining chain.
- 2.2 Thread the input/inlet end of the cable/hose from the drum side of the end disc through the entry point which is closest to the drum.
- 2.3 Anchor and stow the end connector using the support, clips or holsters provided. Ensure that the connector will miss the frame members once rewinding is in progress.
- 2.4 Using the handle wind the cable/hose onto the drum while guiding it across the face of the drum to provide neat wraps to ensure maximum capacity is utilised.
- 2.5 Feed the cable/hose output/outlet end connector through the entry at the outer end of the drum disc and anchor to the face of the disc using the supports, clips or holster provided. If necessary stow the handle for further transport, and replace the pin lock.

**Table 2 – Nominal capacity in metres (75% of the theoretical maximum)**

	Cable diameter					
	6mm	8mm	10mm	12mm	16mm	20mm
CD1	150	80	50	30	--	--
CD2	300	150	100	60	30	15
CD3	600	300	200	140	60	50
CD3.45	1000	500	300	200	100	60
CD3.6	1300	700	400	300	140	90

### 3.0 Operation

#### WARNING

**ONCE THE STORAGE DRUM IS FULL WITH CABLE/HOSE THE WEIGHT OF THE PRODUCT MAY BE TOO HEAVY FOR ONE PERSON TO LIFT OR MOVE. OBTAIN THE ASSISTANCE OF A SECOND PERSON.**

*Note: These instructions are intended to provide general guidance and must be modified to suit the specific cable/hose being stored.*

#### 3.1 Deploying the cable/hose

3.1.1 To use the cable/hose, the operator should first ensure that the rewind handle is clear of the frame and other obstructions. On CD2 and CD3 units unscrew the wing nut as far as it will go (note it is captive and can not be removed completely) turn the handle 180° so that the handle points away from the drum and re-tighten the wing nut. Remove the pin lock (CD2 and CD3 only) and the drum is free to rotate.

3.1.2 Unhook the output/outlet end of the cable/hose from its anchor points and feed it through the entry point in the outer edge of the drum disc.

3.1.3 The operator must take care not to allow the cable/hose to become tangled. This could cause damage to the cable/hose or the operator to be impeded by, or trip over, the hose.

3.1.4 Pull the cable/hose at the output/outlet end in a steady motion unwinding the cable/hose until it is fully deployed. If any resistance is felt while unwinding, stop deployment, investigate and resolve any problem before continuing.

3.1.5 Unhook the input/inlet end connector and connect to the supply.

#### 3.2 Rewinding the cable/hose

#### WARNINGS

- 1 ISOLATE THE CABLE/HOSE FROM THE SUPPLY.**
- 2 TAKE CARE NOT TO TRAP HANDS BETWEEN THE CABLE/HOSE AND THE DRUM/FRAME.**
- 3 MAKE SURE THE CABLE/HOSE IS DISCONNECTED AT BOTH ENDS AND THAT THERE ARE NO OBSTRUCTIONS TO THE REWIND PATH BACK TO THE STORAGE DRUM.**
- 4 BEFORE COMMENCING THE REWIND OPERATION MAKE SURE THAT ALL OTHER PERSONS ARE STANDING AWAY FROM THE HOSEREEL AND THE HOSE.**

3.2.1 In order not to cause damage to the end connection it is always preferable to return this end to the drum in a loop prior to rewinding. This prevents the connector being dragged along the floor.

3.2.2 If necessary ensure the rewind handle is deployed.

3.2.3 Follow the procedure as detailed at sections 2.3 to 2.5.

## 4.0 Maintenance

### WARNING

**BEFORE PROCEEDING, ISOLATE THE SUPPLY.**

### CAUTION

*A weak hose could swell under pressure and could cause damage to the cable drum.*

## 4.1 Monthly maintenance

4.1.1 Check the drum rotates freely.

4.1.2 Inspect the cable/hose and end connections in accordance with the manufacturer's recommendations.

## 4.2 Removing the drum

4.2.1 First remove cable/hose from the drum. This is achieved by reversing the operations as described in section 2.1 to 2.5

4.2.2 For CD1 storage drums the sprung loaded catch on the drum spindle end must be pushed sideways to move the slot at the square end to the cross pin in the spindle, then pull forward by the tapered end allowing it to rotate to a position in line with the spindle.

4.2.3 The washer and drum may now be withdrawn through the side of the frame by sliding it from the cantilevered spindle.

4.2.4 For CD2 and CD3 storage drums it is necessary to remove both pin locks from the spindle at the frame and drum positions.

4.2.5 This allows the spindle/rewind handle to be withdrawn from the frame and drum. The drum may now be removed from the frame at the front or back positions.

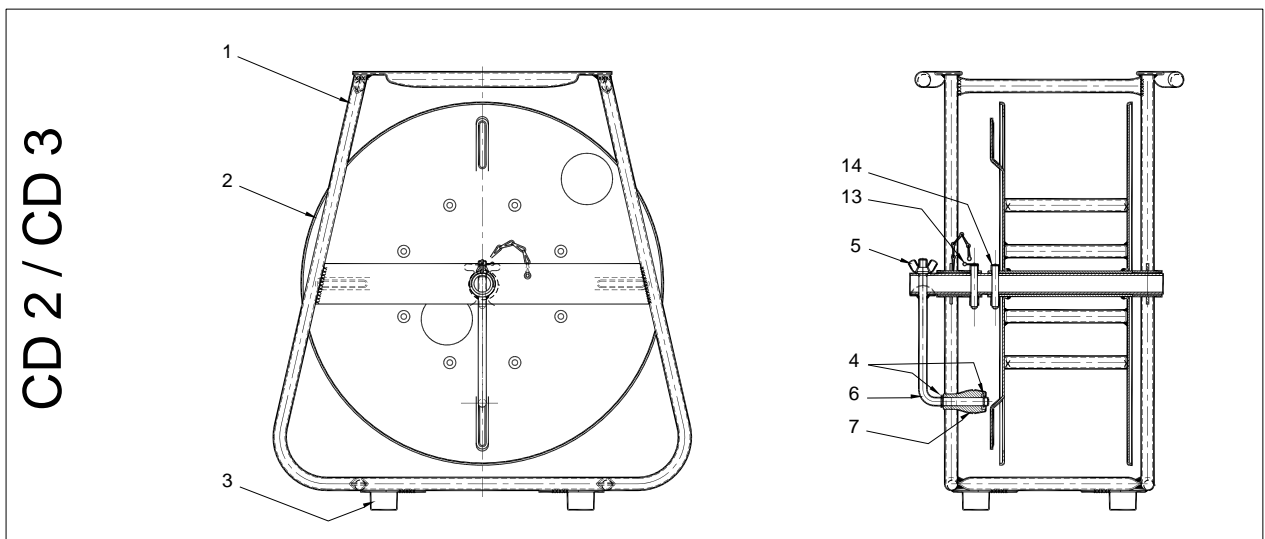
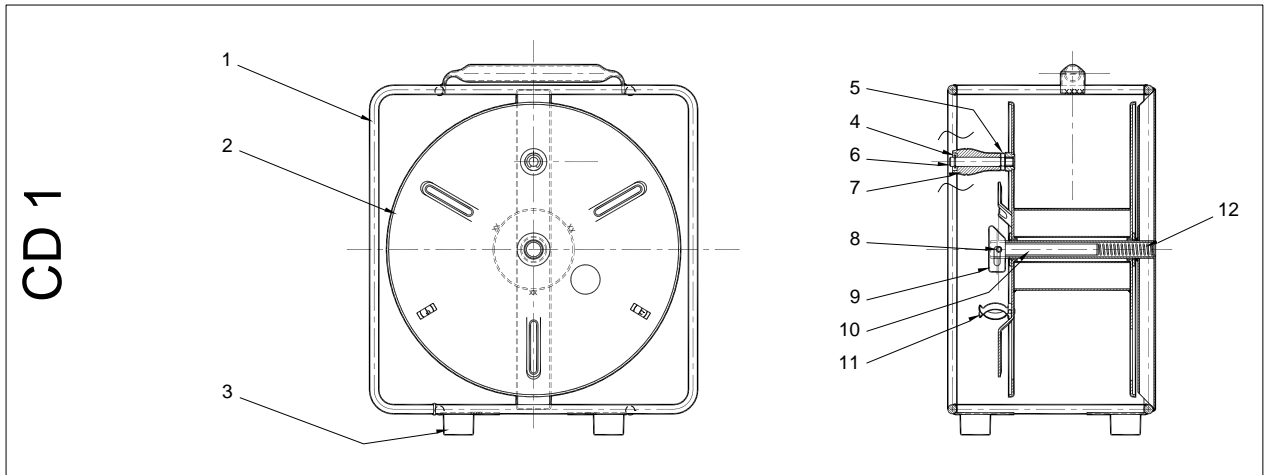
4.2.6 To refit the drum in the follow the above instructions in reverse order.





Part Breakdown

Appendix 1



Item	Description	Part No	Quantity	
			CD1	CD2 / CD3
1	Frame	<i>call for details</i>	1	1
2	Drum	<i>call for details</i>	1	1
3	Foot	5700.001.P	4	4
4	10mm Plastic Circlip	FCP.010	1	2
5	M10 Wing Nut	FPN.32	--	1
5	M10 Locknut	FPN.319	1	--
6	Handle	5700.007.M	1	--
	Handle Kit	5700.007.K	1 ( <i>items 4;5;6;7</i> )	--
6	Handle Assembly	5700.008.M	--	1
	Handle Kit	5700.008.K	--( <i>items 4;5;6;7</i> )	1
7	Plastic Handle	5700.002.P	1	1
8	Spring Dowel	FSD.212	1	--
9	Latch Plate	5700.005.M	1	--
10	12mm PVC Rod	5700.012.P	1	--
11	Terry Clip ( <i>when fitted</i> )	5700.003.M	(2)	--
12	Spring	5700.006.M	1	--
13	Pin Lock with std. chain	5700.004.CK	--	1
13	Pin Lock with long chain	5700.004.FCK	--	(1)
14	Pin Lock	5700.004.K	--	1

*Other parts for special drums are available on request.*